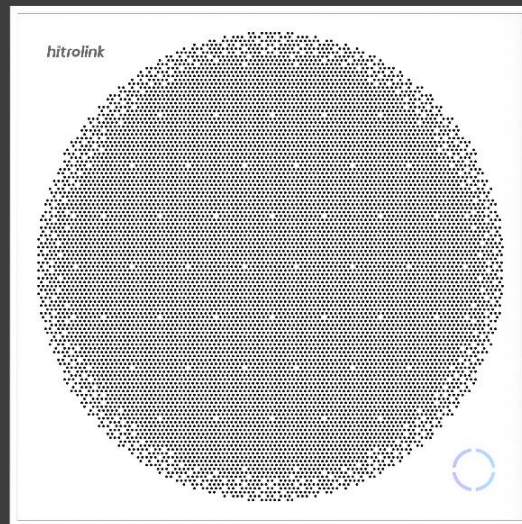


# HTI-ACM200

## Ceiling Microphone

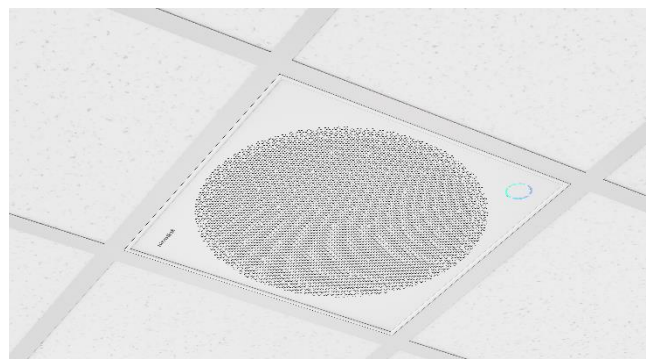
**hitrolink**

HTI-ACM200 is a ceiling microphone with 91 MEMS microphones, and also a ceiling pickup solution for video conferencing and indoor audio closed-loop. 91 MEMS microphones and deep sidelobe beamforming pick up sound for up to 12 independent lobes, and 12 lobes can be switched adaptively. HTI-ACM200 will ensure that every word is clear after being processed by advanced noise reduction, echo cancellation, reverberation suppression, automatic gain and other algorithms. The HTI-ACM200 can be cascaded through the POE network cable, and can support up to 8 cascades. HTI-ACM200 supports rope hoisting, VESA bracket hoisting, can be embedded in the ceiling or ceiling, flexible and beautiful deployment, and is suitable for the diverse venue environment.

In addition, will the use of HTI-ACM200 in combination with the audio processor HTI-AP100, desktop controller HTI-ACT100, and speaker HTI-ACS100/HTI-AWS100 form a fully closed loop conference room audio solution, which simplifies the configuration and deployment.

### FEATURES SPOTLIGHT

- 91 MEMS Microphone Array
- 12 Independent Lobes, switched adaptively
- Support up to 8 cascades with POE cable
- Effective pickup range:10m \*10m
- AI Noise Suppression
- Local Sound Reinforcement/Remote Conference/Hybrid Mode
- Unified Interface USB 2.0



**SPECIFICATION**

**Microphone**

Microphone Type	91 Units MEMS Microphone
Position	Omnidirectional
Effective Pickup Range	10m*10m(33ft*33ft)
Sensitivity	-38dBFS 94dB SPL@1kHz
S/N	63dBA/Pa 94dB SPL@1kHz, A-weighted

**Audio**

Beamforming	12 Deep Sidelobes Beamforming
Pickup Beams Switching	Adaptively
AGC	Support
Full-Duplex	Support
Echo Cancellation	Support
Howling Suppression	Support
Reverberation Suppression	Support
Smart Reverberation	Support
Background Noise Suppression	Support

**Daisychain**

Mode	POE via UTP cable(CAT6)
Number	Maximum daisy-chain 8 unites

**Connectivity**

RJ45 Ethetnet Ports	2
Reset	1

**Structure**

Material	Alufer
Color	White
Product Dimensions	603*603*45.4mm(23.74*23.74*1.79 inches)
Package Dimensions	719*713*105mm (28.31*28.07*4.13 inches)
Net Weight	6.5KG
Gross Weight	8.46KG
Installation	Suspended/VESA Mounted/Flush Mounted

**Environment**

Operating Temperature	0 °C ~ +50 °C
Operating Humidity	20%~80% (Nocondensing)
Storage Temperature	-10 °C ~ +60 °C
Storage Humidity	5%~95% (Nocondensing)

**Packing List**

HTI-ACM200	1
10m UTP cable(CAT6)	1
Accessory Package	1

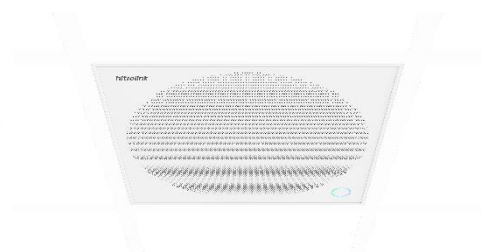
**INSTALLATION**



Suspended

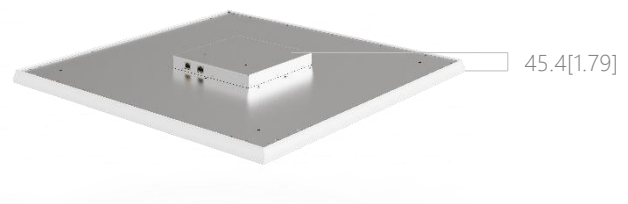
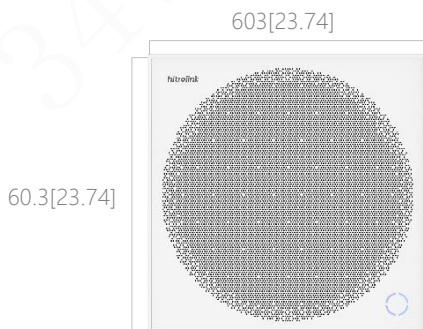


VESA Mounted



Flush Mounted

**DIMENSIONS (mm[inch])**



# HTI-AP100

## Digital Audio Processor

**hitrolink**

Hitrolink digital audio processor, center brain for ceiling microphone system, it provide strong AI audio processor algorithm and power supply for ACM200 ceiling microphone and speaker. And it support various interface and standard protocol to connect third party devices.

### FEATURES SPOTLIGHT

---

- 3A audio algorithm supported
- AI processor to build balance audio conference environment
- 10\*audio line in/out for extra speaker system demand
- Support 8 cascaded microphone power supply
- Small size for flexible installation



**SPECIFICATION****Connectivity**

Speaker Interface	Phoenix*8
Line In	3.5mm analog in
Line Out	3.5mm analog out
TRS	6.35mm analog in
Controller	RJ45 connect to HTI-ACT100
Array Mic	RJ45 connect to Hitrolink ceiling microphone
USB-B	TypeB 2.0
USB-A	TypeA 2.0
Reset	Reset button

**Power**

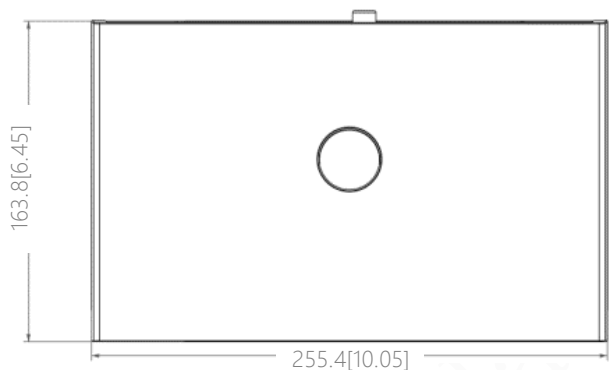
Input	AC 100-240V, 50/60Hz
Output	DC 48V/5A

**General**

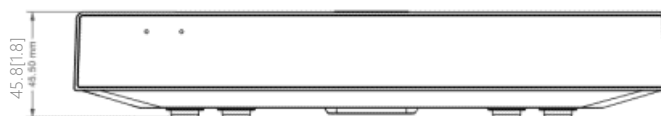
Product Dimensions	255.4*163.8*45.8mm(10.05*6.45*1.8inches)
Package Dimensions	325*200*117 mm(12.80*7.87*4.61inches)
Gross Weight	2.15kg

**Certification**

Certification	CE/FCC
---------------	--------

**DIMENSIONS (mm[inch])**

Top View



Front View

# HTI-ACT100

## Digital Audio Processor

**hitrolink**

Hitrolink controller for ceiling microphone, its exquisite and concise appearance is a good choice for your conference table, podium. It supports to control microphone mute, mode switch and speaker volume with finger touch.

### FEATURES SPOTLIGHT

---

- Smooth touch experience
- Convenient PoE connection
- Comfortable and clear light blue indicator
- Plug and play design without pairing needed

**SPECIFICATION**

**Button**

+	Increase speaker volume
-	Decrease speaker volume
Microphone	Mute
Mode Switch	Local sound reinforcement, remote conference

**General**

Product Dimensions	78*78*15.4mm(3.07*3.07*0.61inches)
Package Dimensions	112*112*55mm(4.41*4.41*2.17inches)
Gross Weight	0.26kg

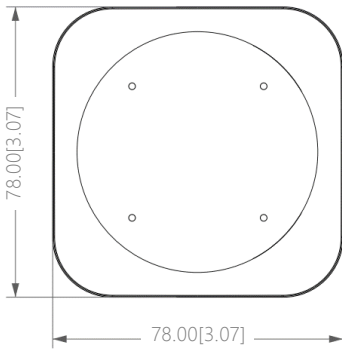
**Certification**

Certification	CE/FCC
---------------	--------

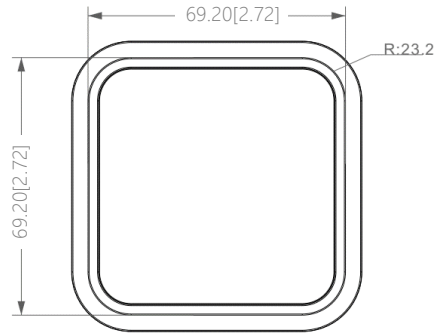
**Connectivity**

RJ45 Ethernet Ports	Connect to HTI-AP100
---------------------	----------------------

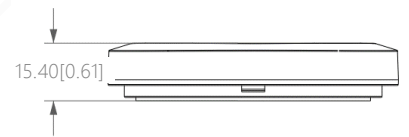
**DIMENSIONS (mm[inch])**



Top View



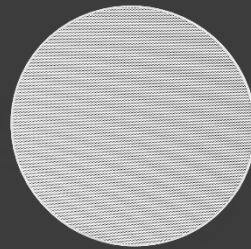
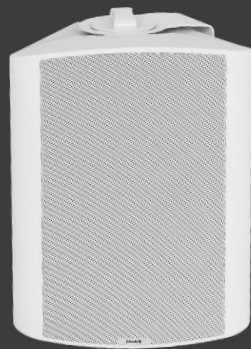
Bottom View



Back View

# HTI-AWS100 Wall-Mounted Speaker

# HTI-ACS100 Ceiling Speaker

**hitrolink**

Hitrolink wall-mounted and ceiling speaker, support remote meeting and local amplification, integrated with ceiling microphone and digital audio processor to build a complete audio system for your conference

## FEATURES SPOTLIGHT

---

- Stable and clear local amplification
- Simple installation
- Clean and typical appearance style
- Two speaker type selection
- Ceiling microphone integration

**SPECIFICATION**

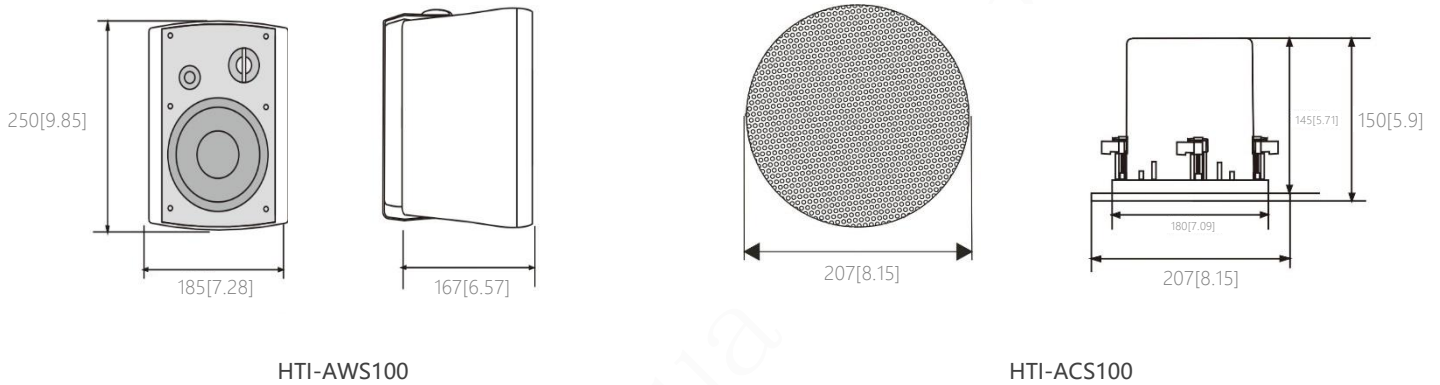
**HTI-AWS100**

Rated Output Power	15W
Effective Frequency Range	0-20KHZ
Volume	88±3dB @1m
THD	<5%
Product Dimensions	185*167*250mm (7.28*6.57*9.85inches)
Package Dimensions	270*270*205mm(10.98*10.98*8.07inches)
Gross Weight	2.6kg
Certification	CE/FCC

**HTI-ACS100**

Rated Output Power	15W
Effective Frequency Range	0-20KHZ
Volume	88±3dB @1m
THD	<5%
Product Dimensions	207(Ø)*150(H)mm (8.15*5.91inches)
Package Dimensions	270*270*205mm(10.98*10.98*8.07inches)
Gross Weight	2.7kg
Certification	CE/FCC

**DIMENSIONS (mm[inch])**



HTI-AWS100

HTI-ACS100